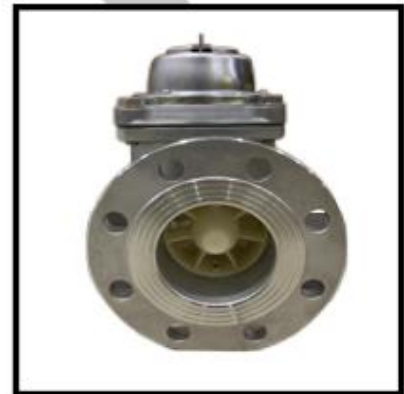


FLOW METER STAINLESS STEEL 316L



MAGNOS
METER



Description

MAGNOS Stainless Steel Flow Meters : Analog / Mechanical Flow Meter for Liquid are made from Stainless Steel SUS 316 L

Industries

- ✓ Steel & Aluminium Industries
- ✓ Chemical & Fertilizer Industries
- ✓ Effluent Treatment Plant
- ✓ Sewage Treatment Plant Water Supply Scheme

Application

- ✓ Raw Water
- ✓ Heat Exchanger Industrial
- ✓ Potable Water
- ✓ Plup & Beverages Acidic & Alkaline Solution
- ✓ Sea Water
- ✓ Cooling Water
- ✓ Waste Water
- ✓ Brine Solutions

Features

- ✓ Woltman Type DN 50 - 300 mm
- ✓ Water pressure ≤ 1.0 Mpa or 1.6 Mpa
- ✓ Easy Maintenance
- ✓ ISO 9001 & ISO 4046
- ✓ Magnetic Drive reliable Characteristic, long working life
- ✓ Working temperature 0.1 - 50° C for cold Water and 0.1 - 90° C For Hot Water
- ✓ Vacuum Sealed register ensures the dial keep free from fog and frost, keep the reading clear in, long term service
- ✓ Protection grade IP 68

Main Technical Specification

DN	INCH	CLASS	Connection TYPE	OVERLOAD	PERMANENT	TRANSITIONAL	MINIMUM	MINIMUM	MAXIMUM
				FLOW/Qs	FLOW/Qp	FLOW/Qt	FLOW/Qmin	READING	READING
				M3 / H		L / H		M3	
DN 50	2"	B	FLANGE	30	15	3000	450	0.01	999999
DN 65	2 1/2"	B	FLANGE	50	25	5000	750	0.01	999999
DN 80	3"	B	FLANGE	80	40	8000	1200	0.01	999999
DN 100	4"	B	FLANGE	120	60	12000	1800	0.01	999999
DN 125	5"	B	FLANGE	200	100	20000	3000	0.01	999999
DN 150	6"	B	FLANGE	300	150	30000	4500	0.01	999999
DN 200	8"	B	FLANGE	500	250	50000	7500	0.01	999999
DN 250	10"	B	FLANGE	800	400	80000	12000	0.01	999999
DN 300	12"	B	FLANGE	1200	600	120000	18000	0.01	999999

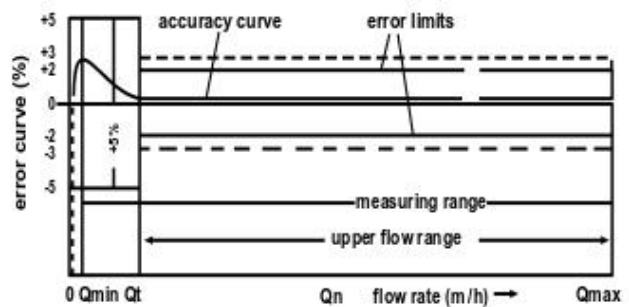
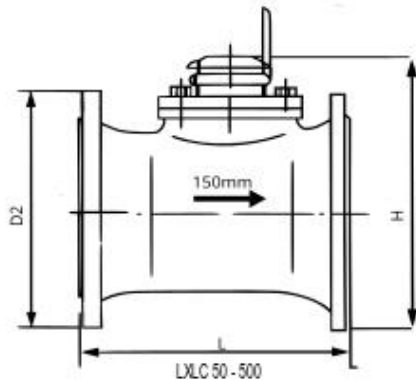
FLOW METER STAINLESS STEEL 316L

MAGNOS
METER

MAXIMUM PERMISSIBLE ERROS

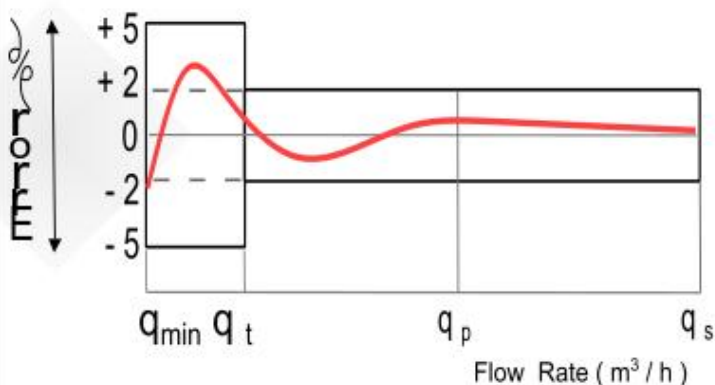
In The lowerr zone from Q_{min} inclusive up to but excluding q_t is + 5 %
in the upper zone from Q_t inclusive up to and including Q_s is = 2%

Dimensi & Akurasi



DN	INCH	CLASS	Connection TYPE	Dimension			WEIGHT (KG)	CONNECTING (D)
				(L)	(D2)	(H)		
				MM				
DN 50	2"	B	FLANGE	200	165	215	12	Flange
DN 65	2 1/2"	B	FLANGE	200	185	225	13	Flange
DN 80	3"	B	FLANGE	225	200	280	15	Flange
DN 100	4"	B	FLANGE	250	220	290	19	Flange
DN 125	5"	B	FLANGE	250	250	300	22	Flange
DN 150	6"	B	FLANGE	300	285	320	47	Flange
DN 200	8"	B	FLANGE	350	340	350	48	Flange
DN 250	10"	B	FLANGE	450	405	435	110	Flange
DN 300	12"	B	FLANGE	500	445	460	115	Flange

Flow Error Curve



Pressure Loss Curve

