



### Main characteristics

---

High bypass and very low head loss

Paddle wheel design resists blockage and damage to meter from solids in water

Sealed dry dial register ensures clear reading

Register can be rotated through 360° for ease of reading

Magnetic drive isolates the register gearing from the 'wet end'

### Application

---

Suitable for irrigation and treated waste water applications.

Best suited for pumped systems and high flow rates.

### Available options

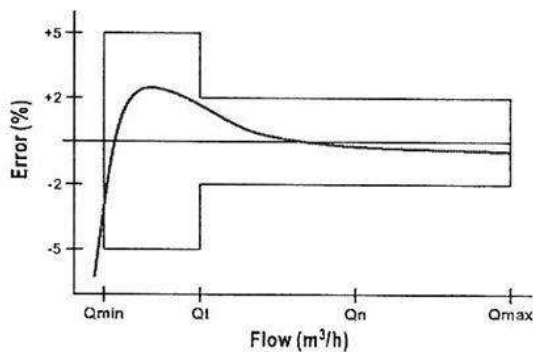
---

Can be equipped with reed switch for proportional dosing or remote output.

## Performance Table

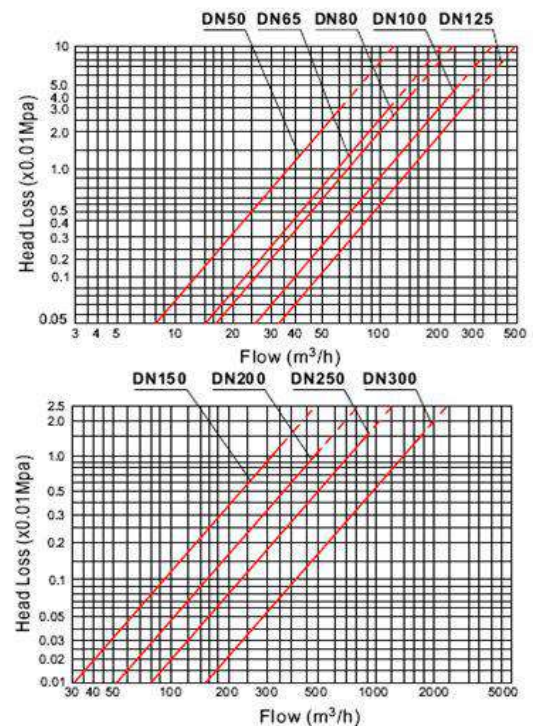
Nominal Diameter		DN	50	65	80	100	125	150	200	250	300
Size of meter		Q <sub>n</sub>	35	50	75	125	175	250	450	600	800
Q <sub>max</sub>	Maximum peak flow	m <sup>3</sup> /h	70	100	150	250	350	500	900	1200	1600
Q <sub>n</sub>	Continuous flow	m <sup>3</sup> /h	35	50	75	125	175	250	450	600	800
Q <sub>t</sub>	Transitional flow	m <sup>3</sup> /h	10.5	15	22.5	37.5	52.5	75	135	180	240
Q <sub>min</sub>	Minimum flow	m <sup>3</sup> /h	2.8	4	6	10	14	20	36	48	64

## Typical Accuracy Curve

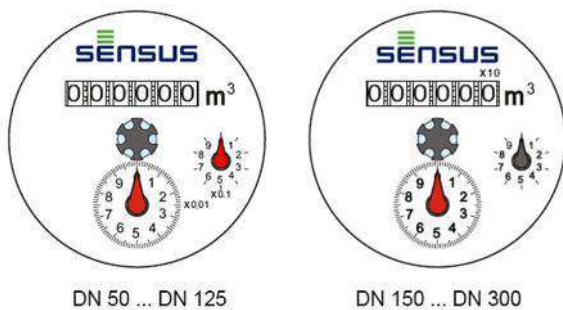


Q<sub>max</sub> = maximum peak flow  
 Q<sub>n</sub> = continuous flow  
 Q<sub>t</sub> = transitional flow  
 Q<sub>min</sub> = minimum flow

## Typical Head Loss Curve



## Dials

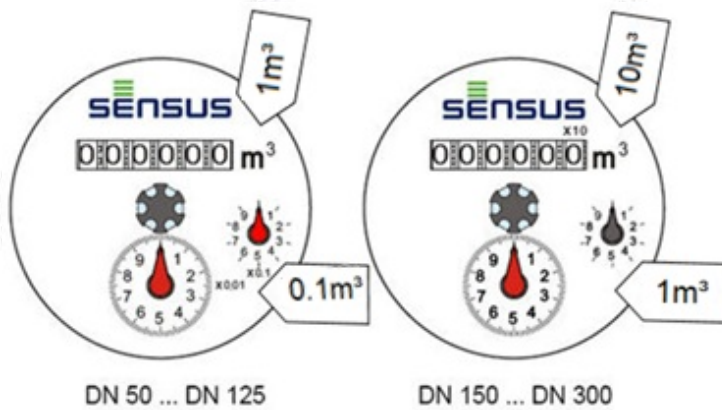


Diameter Nominal DN	Smallest reading m <sup>3</sup>	Max. reading m <sup>3</sup>
50 ... 125	0.001	999999.999
150 ... 300	0.01	999999.99

## Pulse Values

Potential free reed switch with 1.4m cable

Pulser	Pulse Value	
	DN 50 ... DN 125	DN 150 ... DN 300
WPI REED	0.1m <sup>3</sup> and 1m <sup>3</sup>	1m <sup>3</sup> and 10m <sup>3</sup>



## Installation Criteria

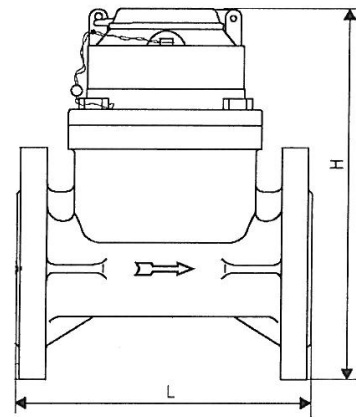
Pipe	horizontal vertical inclined	
Meter head	upwards sideways	

### Installation Requirements

Unrestricted straight pipe in front of the meter  
10 x DN

Unrestricted straight pipe behind the meter  
5 x DN

## Dimension Diagram



## Dimensions and Weights

Nominal Diameter			DN	50	65	80	100	125	150	200	250	300
Size of meter			Q <sub>n</sub>	35	50	75	125	175	250	450	600	800
Dimensions	Overall length	L	mm	200	200	225	250	250	300	350	450	500
		H	mm	226.2	227	228	300	320	333.5	339.5	445	500
Weight	Meter		Kg	10.5	11.8	15.5	17.5	19.5	30.5	42.5	58.5	80.5

## Flange Dimensions

Flange drilled according to BS 10 Table D

Nominal Diameter	DN	50	65	80	100	125	150	200	250	300
Size of meter	Q <sub>n</sub>	35	50	75	125	175	250	450	600	800
Diameter of bolt circle	P.C.D.	114	127	146	178	210	235	292	356	406
Number of holes		4	4	4	4	8	8	8	8	12
Diameter of bolt holes	∅	17	17	17	17	17	17	17	22	22

Flange drilled according to DIN 2501 PN16 (EN 1092 PN16, BS4504 Table 16)

Nominal Diameter	DN	50	65	80	100	125	150	200	250	300
Size of meter	Q <sub>n</sub>	35	50	75	125	175	250	450	600	800
Diameter of bolt circle	P.C.D.	125	145	160	180	210	240	295	355	410
Number of holes		4	4	8	8	8	8	12	12	12
Diameter of bolt holes	∅	18	18	18	18	18	22	22	26	26



**Sensus South Africa (Pty) Ltd**  
 16 Kyalami Boulevard,  
 Kyalami Business Park, Midrand, South Africa  
 T: +27 11 466 1680; F: +27 11 466 1695  
 E-mail: [sales.za@sensus.com](mailto:sales.za@sensus.com)  
*Distributors throughout Southern Africa*

\*Should you require this brochure in electronic format, please contact us via email.