

# Watermeter Type WS-PE

for hot water up to 180°C / 200°C

DN 40...100



## Special Features

- Interchangeable measuring element
- No influence by external magnetic fields
- Pulsers may be equipped easily

## Application

- For measuring hot water up to 180°C in pressure rate PN 16
- For measuring hot water up to 200°C in pressure rate PN 40
- For special applications in power plants

## Available Designs

Size	40		50		65		80		100	
Temperature in °C	200	180	200	180	200	180	200	180	200	
Pressure in bar	40	16	40	16	40	16	40	16	40	
Body material	GS 45	GG 25	GS 45	GG 25	GS 45	GG 25	GS 45	GG 25	GS 45	
Order-No.	o.r.	826338	825961	826340	826003	826342	825963	826344	825965	

## Installation requirements

- Unrestricted straight pipe 3 x DN
- No restrictions directly behind the meter

## Installation

Pipe	horizontal	←
Meter head	upwards	↑

Sensus Metering Systems GmbH  
Hannover D-30880 Laatzen • Meineckestraße 10  
Weitere Informationen unter <http://www.sensus.com>

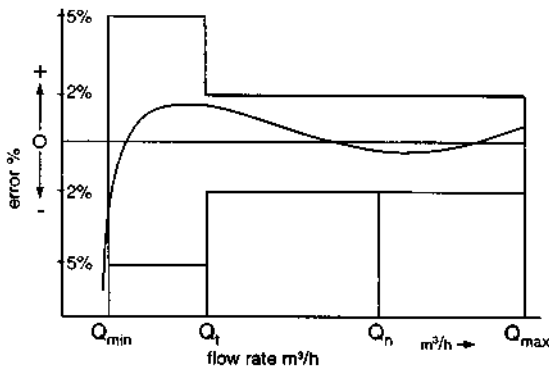


# Technical Data

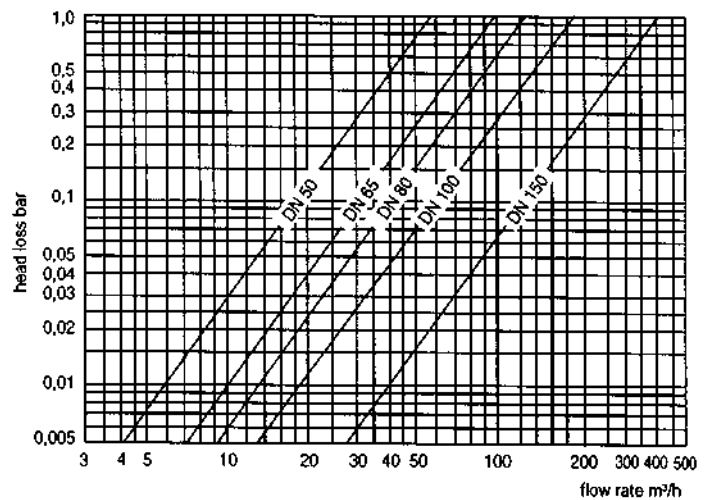
## Performance table COSMOS WS 180 / 200 °C

	Size of meter	DN	40	50	65	80	100
Q <sub>max</sub>	Maximum peak flow (few minutes)	m <sup>3</sup> /h	20	25	50	70	100
Q <sub>n</sub>	Continuous flow	m <sup>3</sup> /h	10	15	25	40	60
Q <sub>t</sub>	Transitional flow ± 2%	m <sup>3</sup> /h	2.25	2.25	3.75	6.00	9.00
Q <sub>min</sub>	Minimum flow	m <sup>3</sup> /h	0.70	0.70	1.10	1.60	2.40
	Starting flow	m <sup>3</sup> /h	0.25	0.25	0.35	0.25	0.40

## Typical accuracy curve



## Typical head loss curve

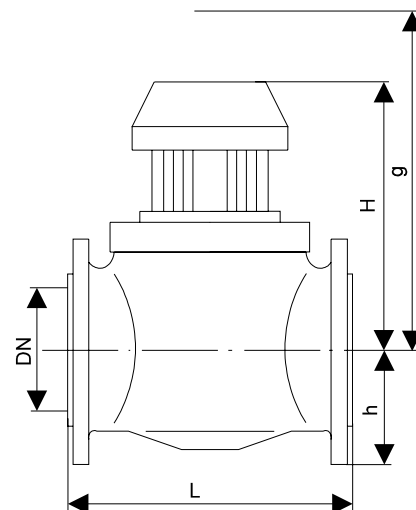


- Q<sub>max</sub> = maximum peak flow
- Q<sub>n</sub> = continuous flow
- Q<sub>t</sub> = transitional flow ± 2%
- Q<sub>min</sub> = minimum flow ± 5%

## Dimensions

Size of meter	DN	40	50	65	80	100
Overall length L	mm	300	270	300	300	360
Height	H	mm	195	195	205	235
	H	mm	80	80	100	110
	g	mm	352	325	345	345
Width B	mm	170	170	200	200	260

## Dimension picture



## Weights

### 200°C PN 40

Size	DN	40	50	65	80	100
Meter	kg	20.0	19.7	25.4	27.6	52.7
Insert	kg	4.2	4.2	4.4	4.4	13.2

### 180°C PN 16

Size	DN	40	50	65	80	100
Meter	kg		13.7	17.7	19.7	32.7
Insert	kg		2.7	2.7	2.7	7.7