

# PRODUCT DATA SHEET

## F040-3S4 - 1 1/2" MECHANICAL FLOW METER WITH HEAVY DUTY MECHANICAL DISPLAY

The M Series 1 1/2" MECHANICAL FLOW METER are suitable for flows between 10 – 250 L/min (2.64 - 66.04 GPM), providing highly accurate flow measurement performance. The M Series offers  $\pm 1.00\%$  accuracy of true reading in a compact footprint, requiring no flow conditioning and with high pressure and temperature capabilities.

### Key features include:

- Cast Aluminium construction
- FKM (Viton) seals
- Maximum flow rate 250 L/min / 66.04 GPM
- Accuracy of  $\pm 1.00\%$  of reading
- Exceptional repeatability of  $\pm 0.03\%$
- Temperature up to 80 °C / 176 °F
- 1 point factory calibration as standard, with additional points upon request

### SPECIFICATIONS



F040-3S4

		F040-3S4		
Material of construction	Meter Body	Cast Aluminium		
	Rotor	PPS		
	Seals	FKM (Viton)		
Design Specifications		1 1/2" NPT Thread [w/ litres mech display]		
Process Connections		1 1/2" NPT Thread [w/ litres mech display]		
Technical Specifications		min	max	
	Flow rate	15	235	L/min
< 5cPr		3.96	62.08	GPM
		10	250	L/min
> 5cP		2.64	66.04	GPM
	Non lubricating fluids	-	250	L/min
		-	66.04	GPM
Operating Temperature Range**		-40	80	°C
		-40	176	°F
Accuracy ( $\pm\%$ )	1.00%			
Repeatability ( $\pm\%$ )	0.03%			
Nominal K-Factor		- Pulses/Litre		
		- Pulses/Gallon		

### OUTPUT TYPE



HEAVY DUTY MECHANICAL DISPLAY

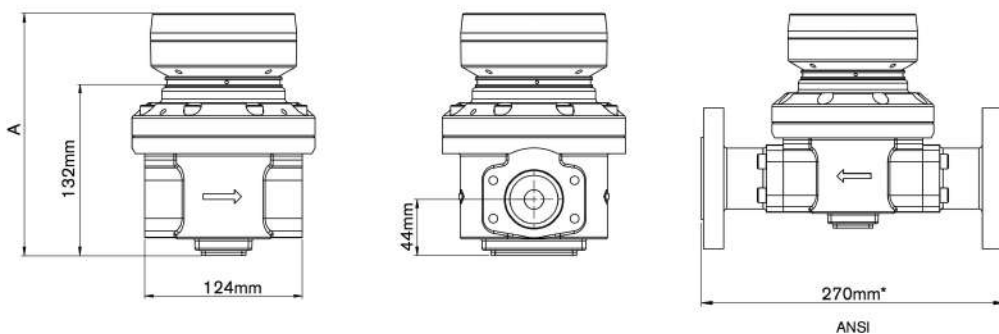
		Heavy Duty Mechanical	
Construction	Aluminium		
IP Rating	IP67		
Temp	Min: - Max: - °C		
	Min: - Max: - °F		
EX Approvals	-		
	Please refer to instruction manual and certification documentation for product appropriate certification information		
Display			
Digit size (upper/lower)	17mm/6mm		
Accumulated total	✓		
Resettable total	✓		
Preset total	✗		
Flow rate	✗		
Outputs			
4-20 mA (passive)	✗		
Pulse/Transistor Output	✗		
Flow Alarm	✗		
Batch Control output	✗		



macnaught

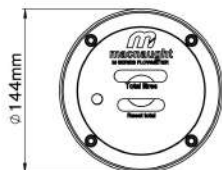
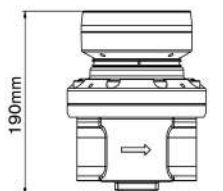
# PRODUCT DATA SHEET

F040-1S3  
M040-1S3  
S040-1S3



DISPLAY HEIGHT - A

TYPE 3  
MECHANICAL REGISTER - STANDARD



TYPE 4  
MECHANICAL REGISTER - HEAVY DUTY

